

An orange ROV with black spots is shown underwater, illuminated by a bright blue light source. The background is dark and shows some structural elements of a submerged structure.

# Quick Start Guide Seasam with ExploCam

December 2022



notilo plus

# Content

## **I - EXPLOCAM INSTALLATION**

- Installation of the ExploCam

## **II - STARTING UP**

- Connecting the battery
- Connecting the WiFi Reel to the drone
- Starting up the equipment
- Connecting to the WiFi Reel
  - Delivery after September 2021
  - Delivery before September 2021
- Connection of the controller
- Choice of configuration
- Checking the connections
- Get both video feedback

## **III - USING SEASAM WITH THE EXPLOCAM**

- Drone launching
- Switch the camera view
- Inspecting a Sea Chest
- At the end of the exploration

# I - EXPLOCAM INSTALLATION



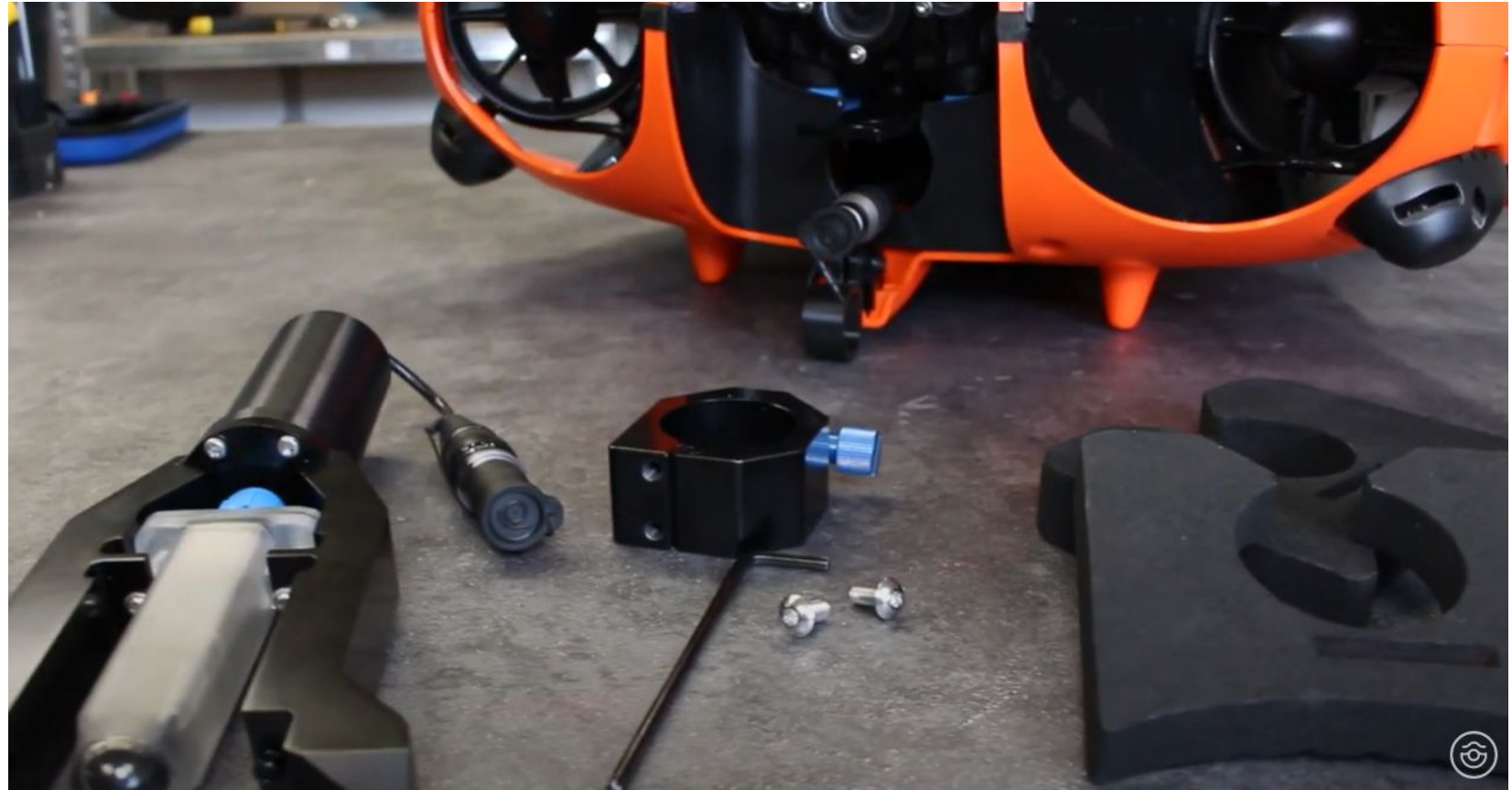
# I - EXPLOCAM INSTALLATION

## Installation of the ExploCam

### Equipment required

- Drone
- ExploCam Arm
- Foam
- Ring

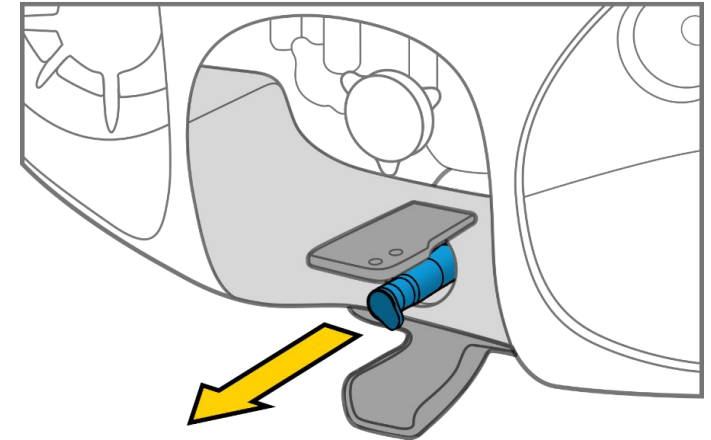
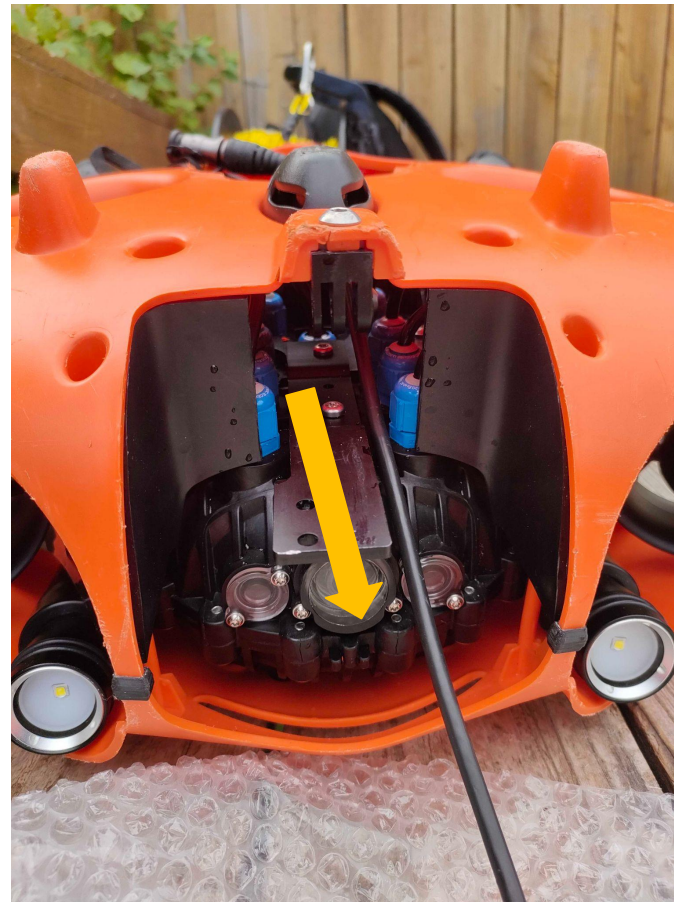
[Access the video of the ExploCam installation here](#)



# I - EXPLOCAM INSTALLATION

## Installation of the ExploCam

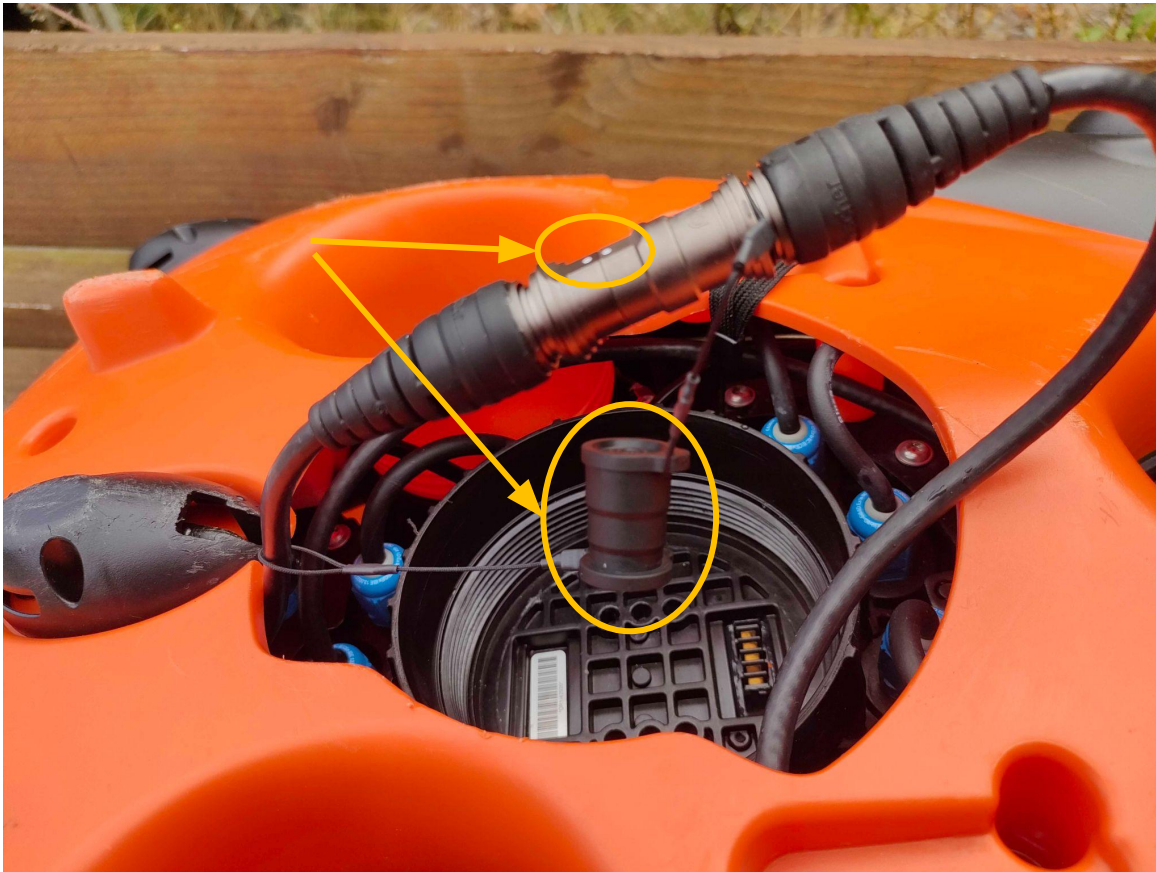
Place the drone on its back and open the battery compartment. Recover the cable from the drone and pull it out from the front of the drone.



# I - EXPLOCAM INSTALLATION

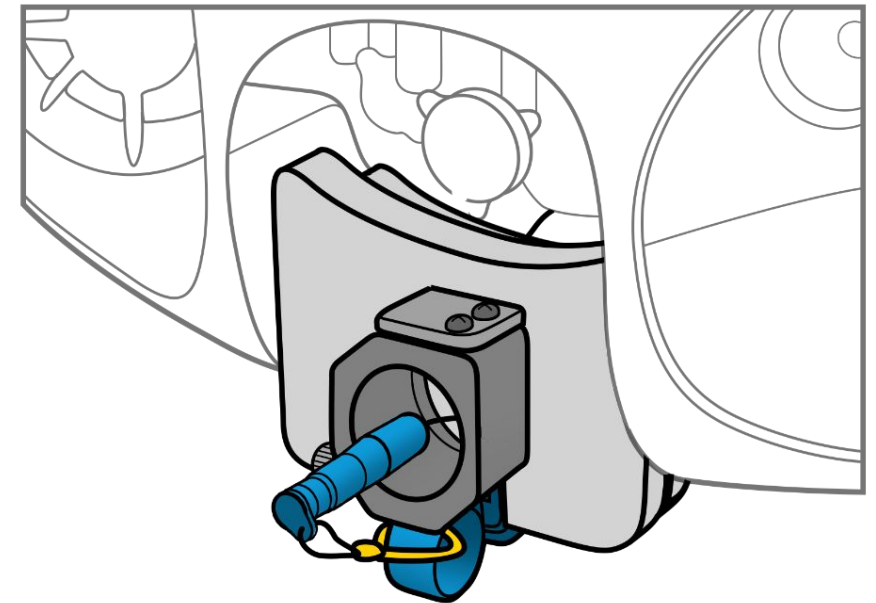
## Installation of the ExploCam

Connect the ExploCam cable with the drone's connector.  
**The two white dots must face each other and the two caps closed together**



**The battery must not be connected to the drone during this step**

Secure the connection by clipping the two caps around the attach at the front of the drone

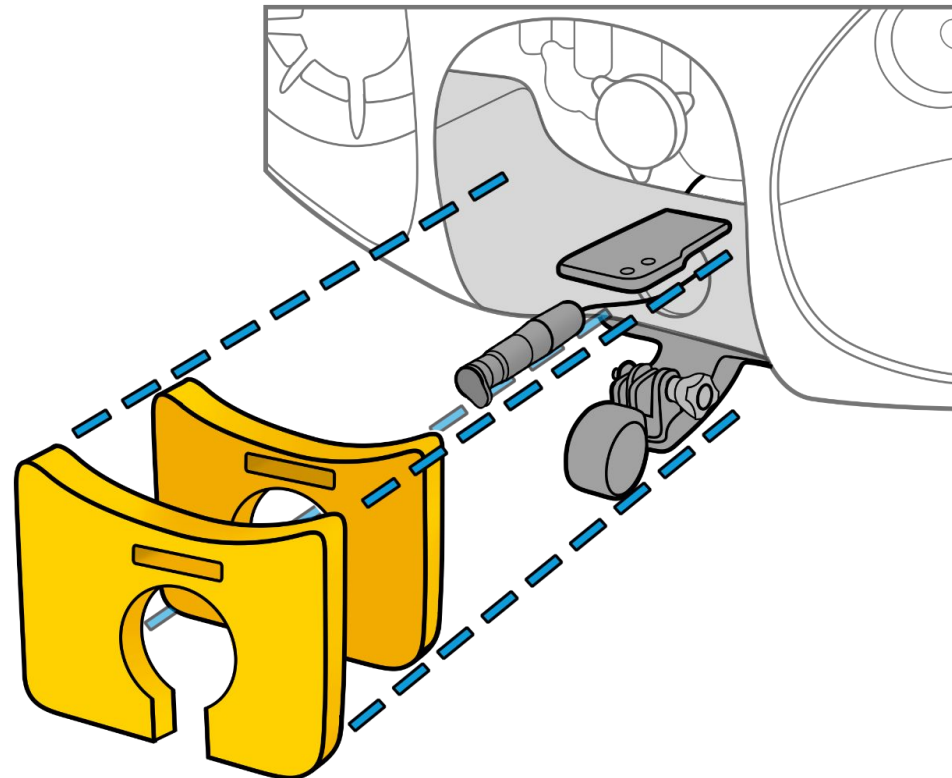


# I - EXPLOCAM INSTALLATION

## Installation of the ExploCam

Position the foam on the metallic plate of the drone

- Smallest part of the foam must face the front of the drone
- The open part of the foam is looking to the bottom of the drone
- Let the connectors pass through the foams

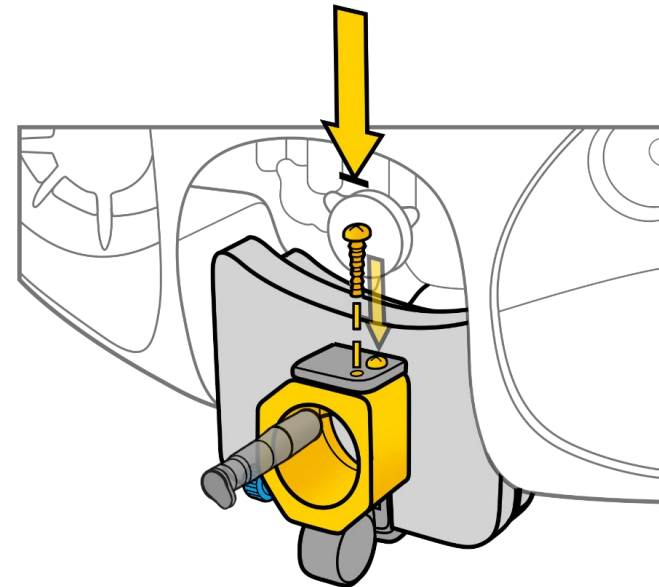
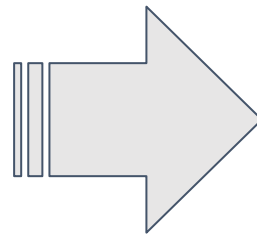
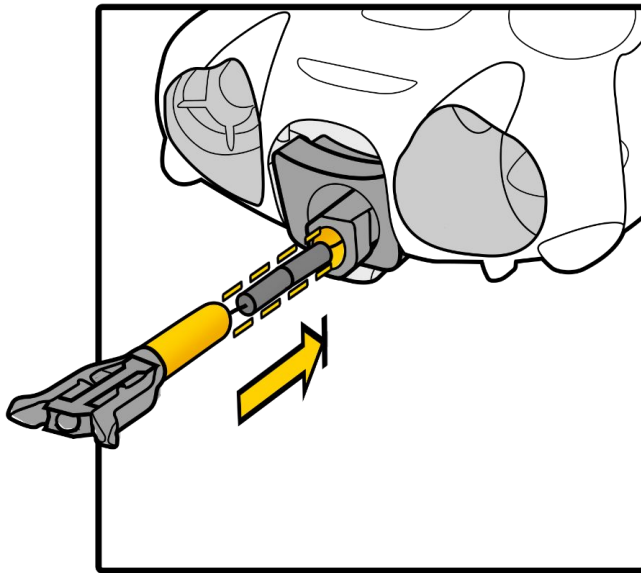


# I - EXPLOCAM INSTALLATION

## Installation of the ExploCam

Position the ring with the two nuts around the arm

- Insert the connectors inside the arm
- Unscrew the two silver screws and place the ring around the arm
- Screw the blue screw to maintain the ring around the arm
- Slide the ring under the metallic plate and screw the 2 silver screw

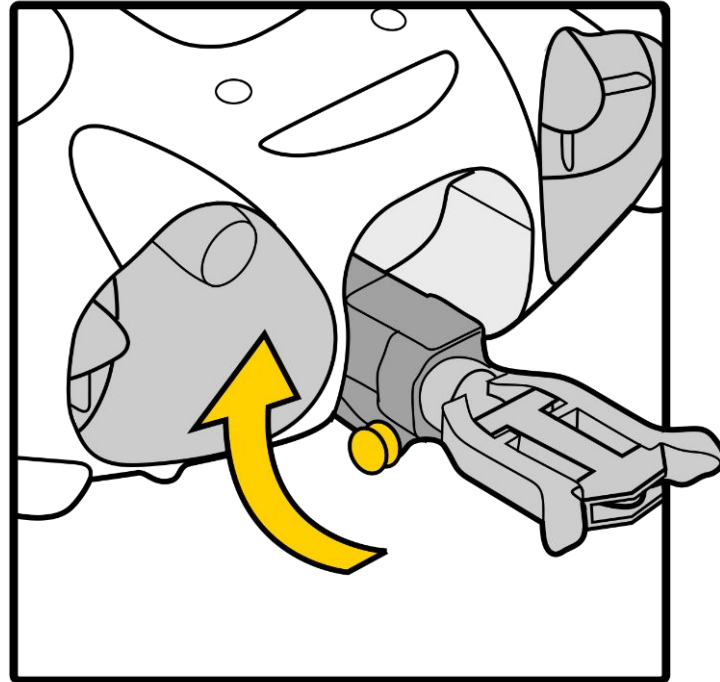




# I - EXPLOCAM INSTALLATION

## Installation of the ExploCam

Position the ExploCam vertically or Horizontally according to the tack you need to perform



# I - EXPLOCAM INSTALLATION

## Installation of the ExploCam

You can now connect the battery.

**Make sure the battery is never connected when you connect or disconnect the gripper connector under the drone.**



# II - STARTING UP THE DRONE

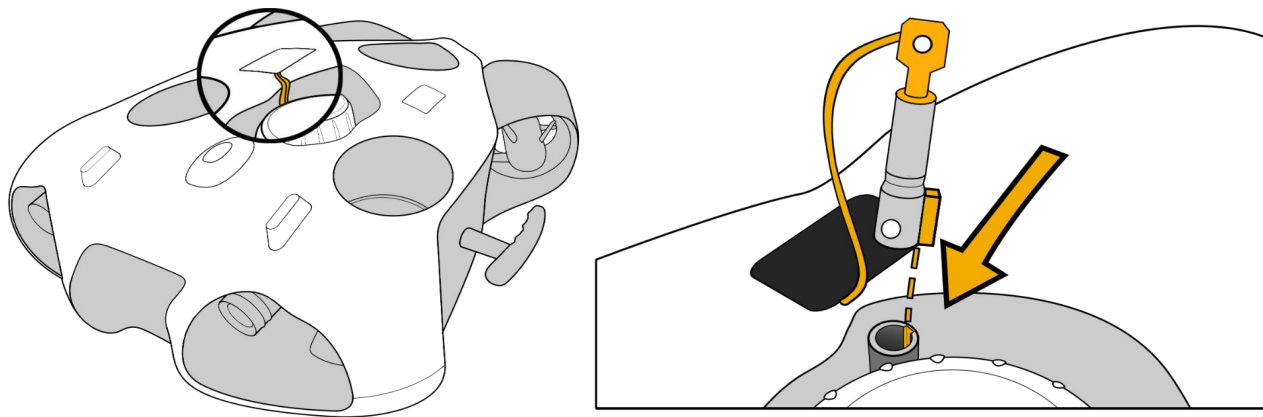


# II - STARTING UP THE DRONE

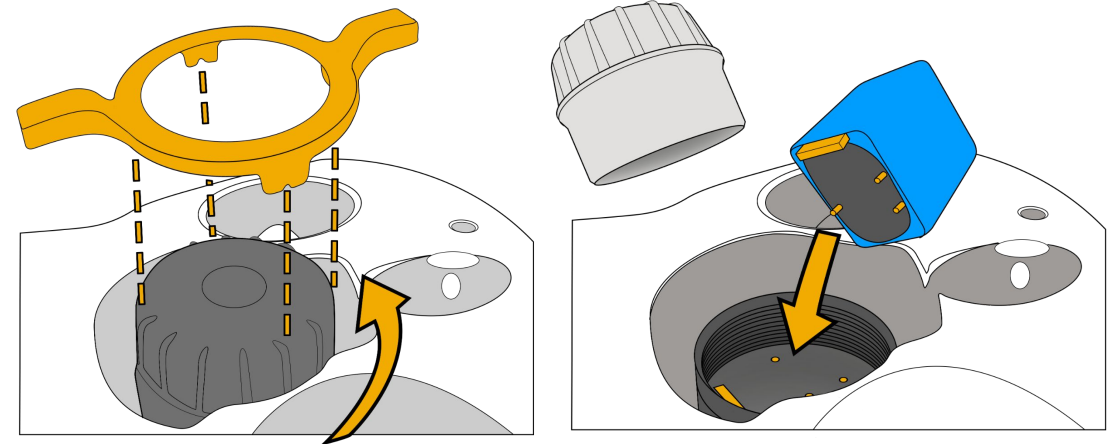
## Connecting the battery

Ensure that the emergency stop on the underside of the drone is properly inserted.

Make sure that the safety guide is aligned in the right direction



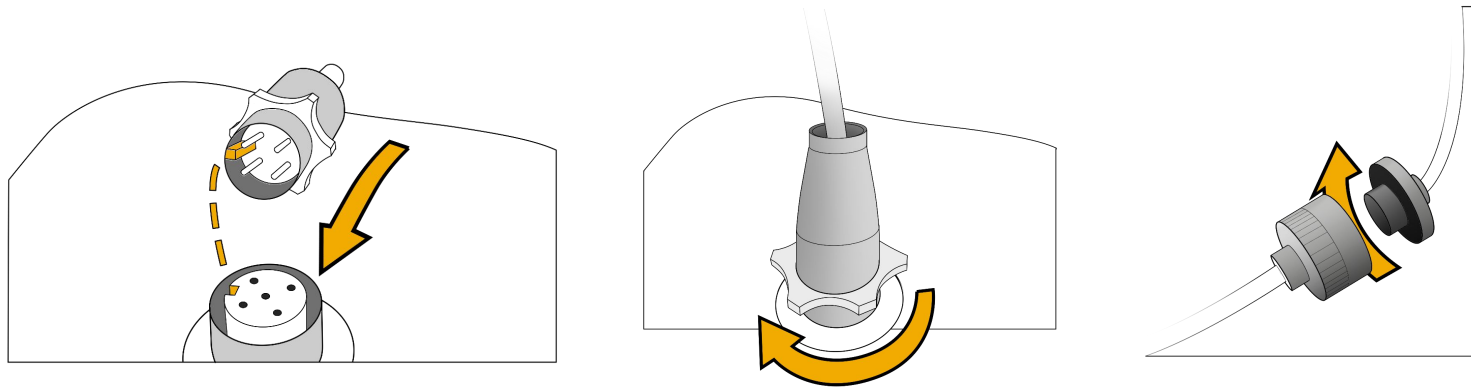
Make sure the battery compartment is properly closed.  
Use the dedicated tool.



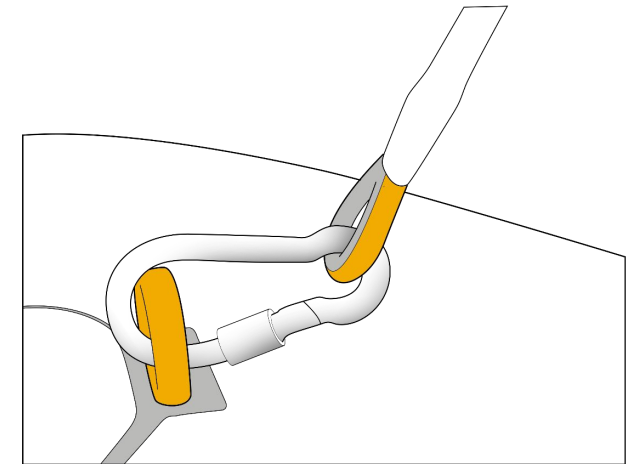
# II - STARTING UP THE DRONE

## Connecting the WiFi reel to the drone

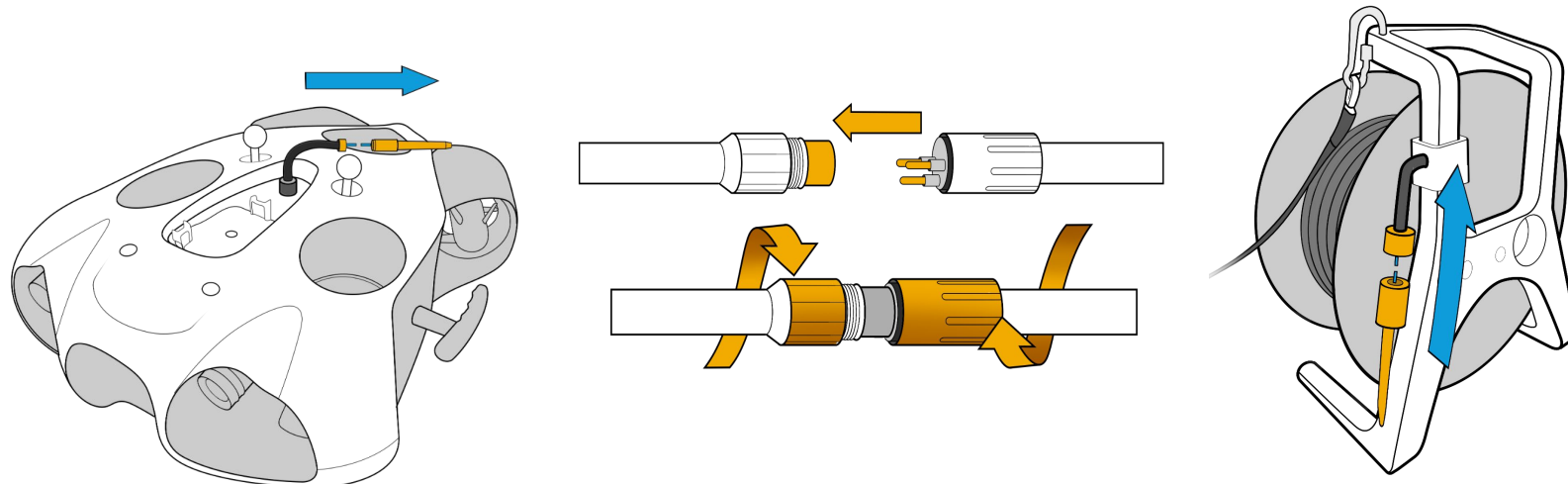
*Standard Connector*



**Attach and lock the carabiner on the drone to secure the Drone**

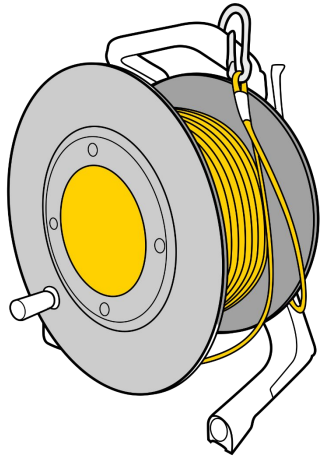


*Subconn Connector*

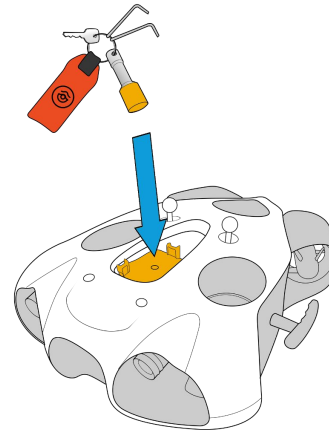


# II - STARTING UP THE DRONE

## Starting up the equipment



Press the "On" button once. After several seconds the LED flashes quickly blue



Place the magnet on the "Power" icon on top of the drone. The drone will turn on and test all its components. It will make sounds and activate its lights.

**Make sure that nothing is in the way and that the motors are not jammed.**

When this process is complete, the green front LED will be solid.



Turn on the controller.

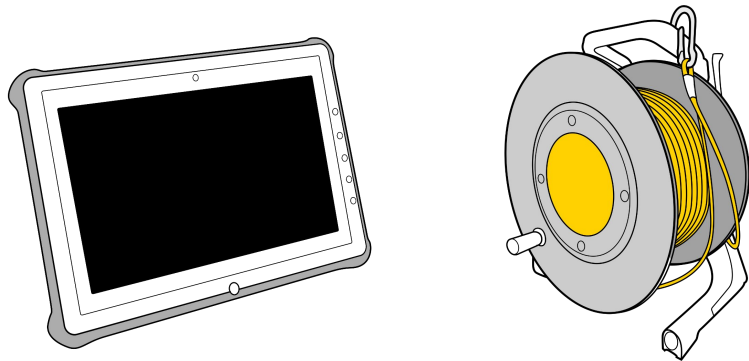
# II – STARTING UP THE DRONE

## Connecting to the WiFi Reel

*Delivery after September 2021*

Connect the tablet to the WiFi signal of the WiFi Reel.  
The wifi network is: "Seasam-WiFiReel-XXXX".  
The password is **@Notilo+**

**Continue directly to page 16**



# II - STARTING UP THE DRONE

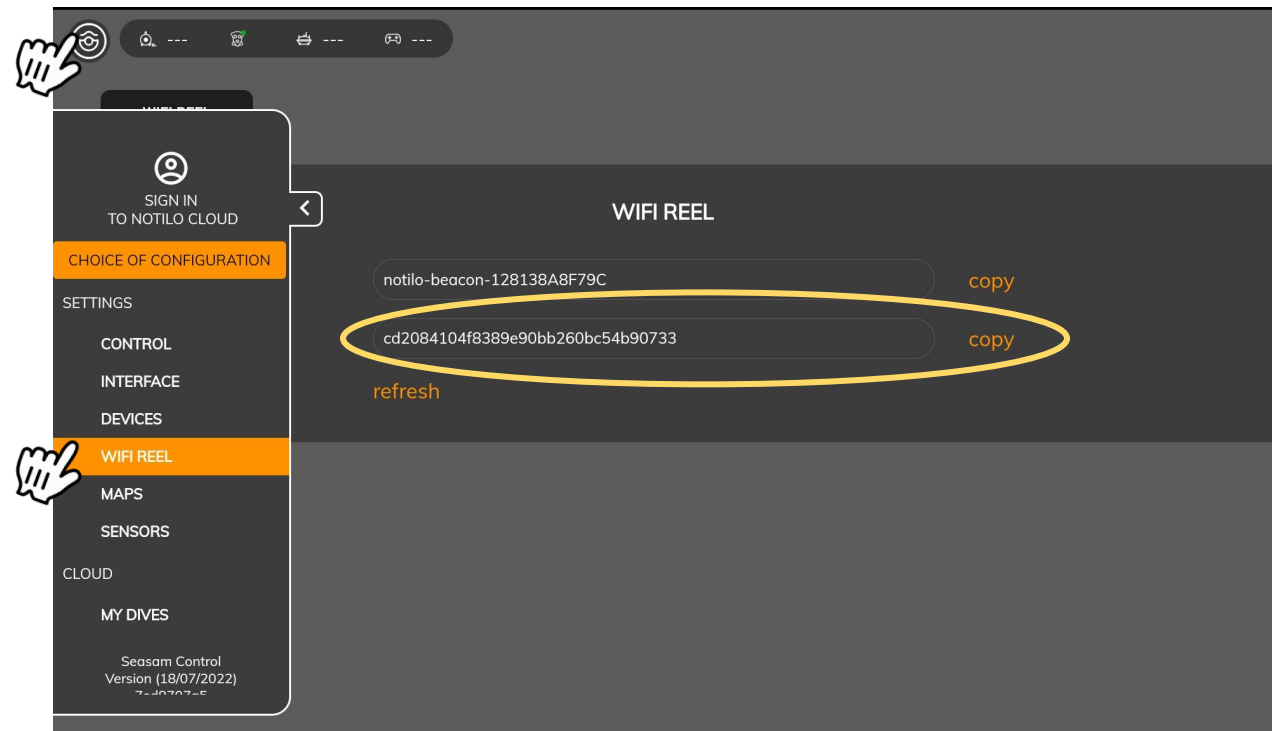
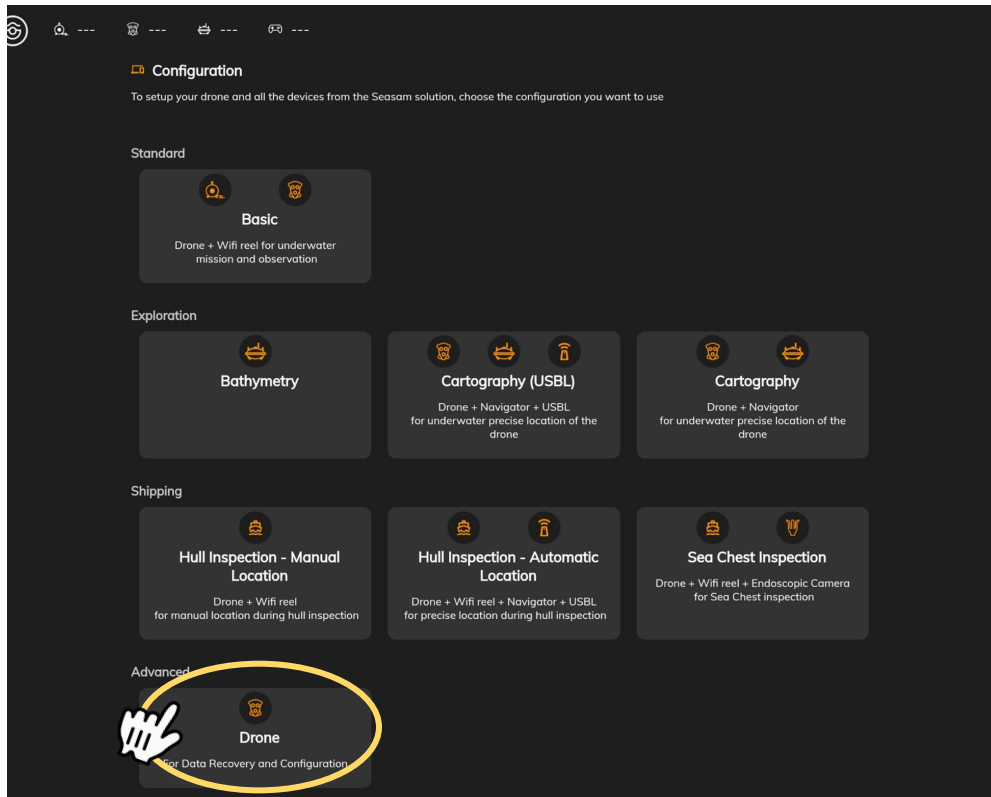
## Connecting to the WiFi Reel

*Delivery before September 2021*

The wifi network is: "notilo-beacon-XXXX"

- Connect the tablet to the WiFi network of the drone "Seasam-XXXX".
- In the configuration part choose "Drone".

- Go to the application settings
- Select "WiFi Reel".
- The network name and password are displayed
- **Copy the password**
- **Connect the tablet to the notilo-beacon-XXX WiFi network**

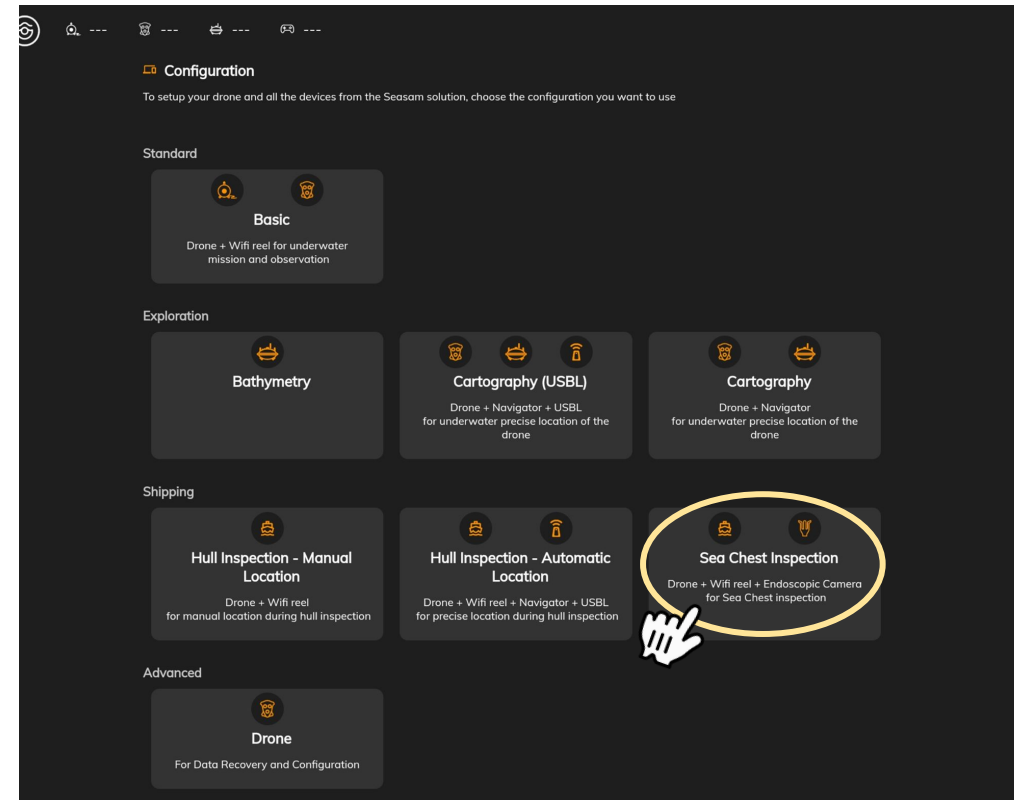
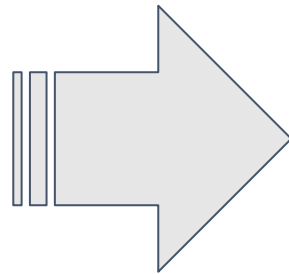
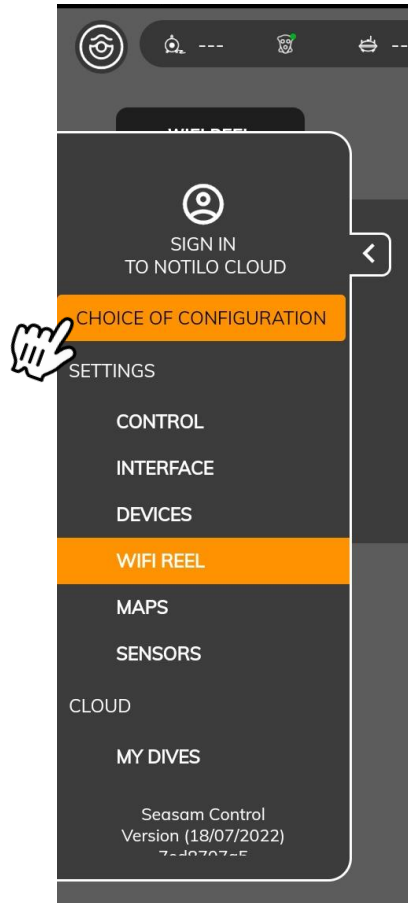




# II - STARTING UP THE DRONE

## Choice of configuration

Start Seasam Control or select "Choice of Configuration" if you have already opened the application.  
In the configuration menu, select "Sea Chest Inspection".



# II - STARTING UP THE DRONE

## Checking the connections

Check that the indicated steps have been completed and select "Next".



# II - STARTING UP THE DRONE

## Checking the connections

This screen checks that all the equipment is connected correctly.  
Once both connections are checked, click on "Continue" to access the control screen.

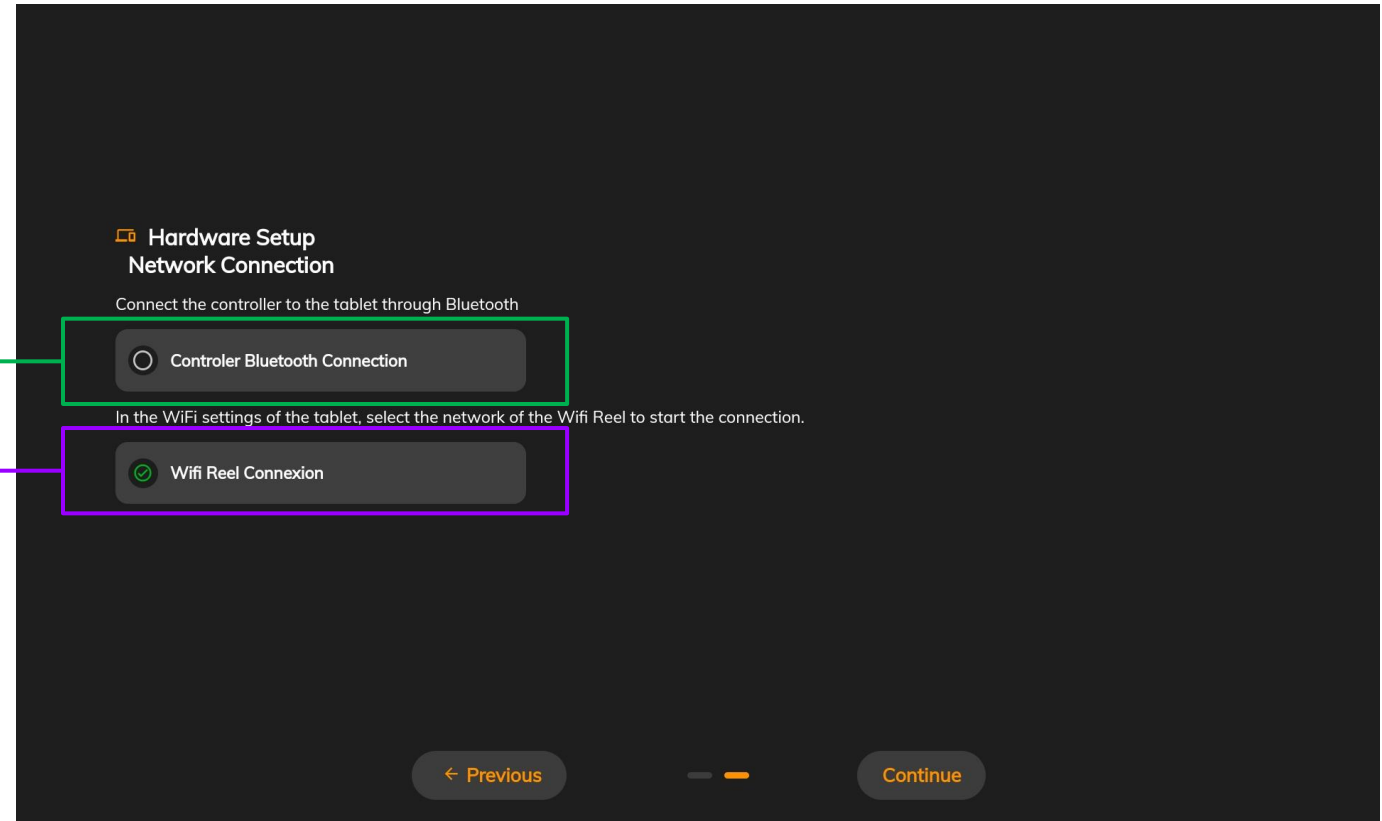
Move a joystick on the controller to have the connection checked.

The system checks that the drone AND the WiFi Reel are **switched on and physically connected together.**

If the green tick takes a long time to appear :

- Wait a few seconds
- Check the physical connections
- Make sure the drone is turned on
- Make sure the tablet is connected to the WiFi reel network
- Go back to the previous page and press "Next" again

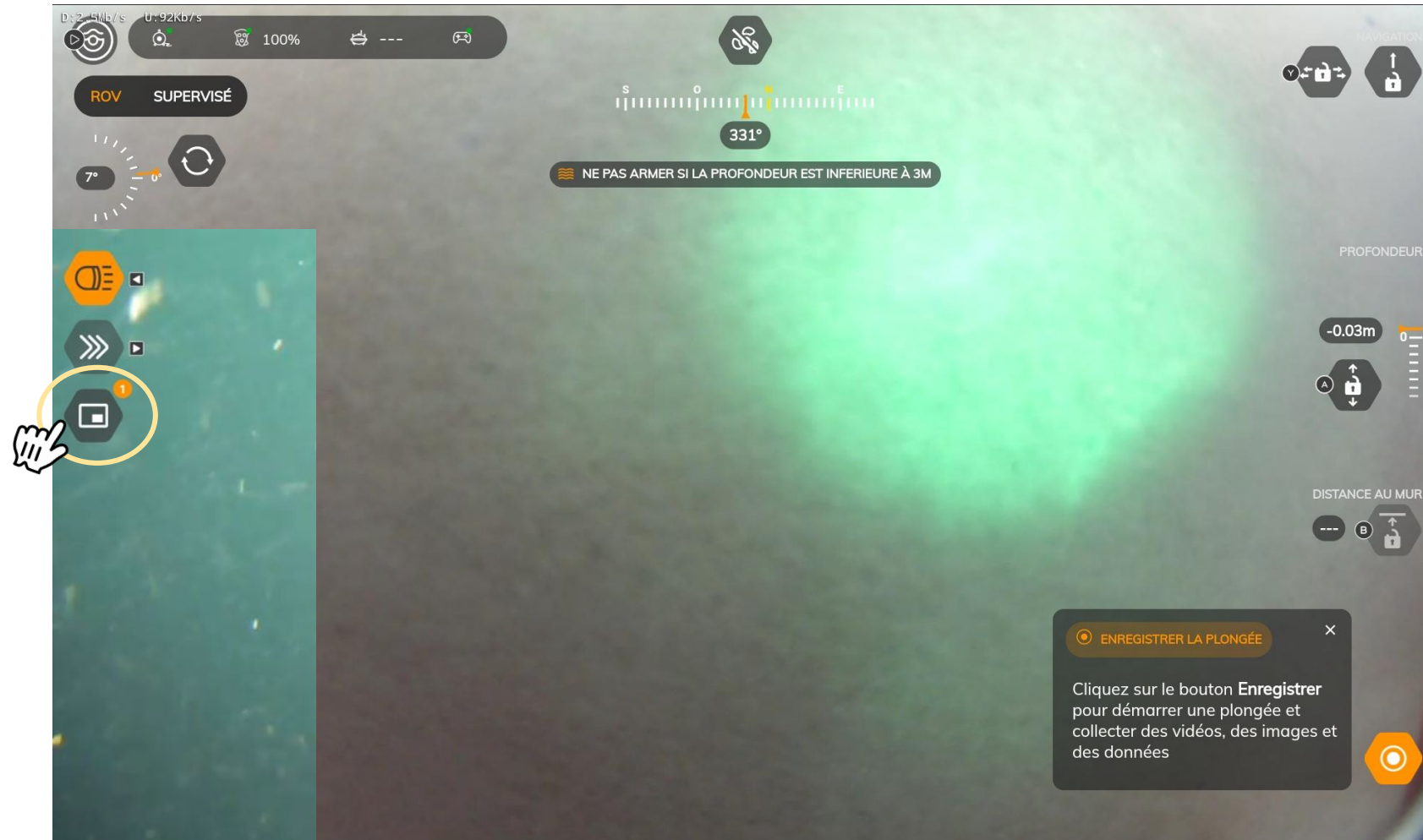
If the problem persists contact [support@notiloplus.com](mailto:support@notiloplus.com)



# II – STARTING UP THE DRONE

## Get both video feedback

The video feedback of the ExploCam will appear at the bottom left of the screen.  
**If not**, you can click on the specific widget to display it.



# III - USING SEASAM WITH THE EXPLOCAM

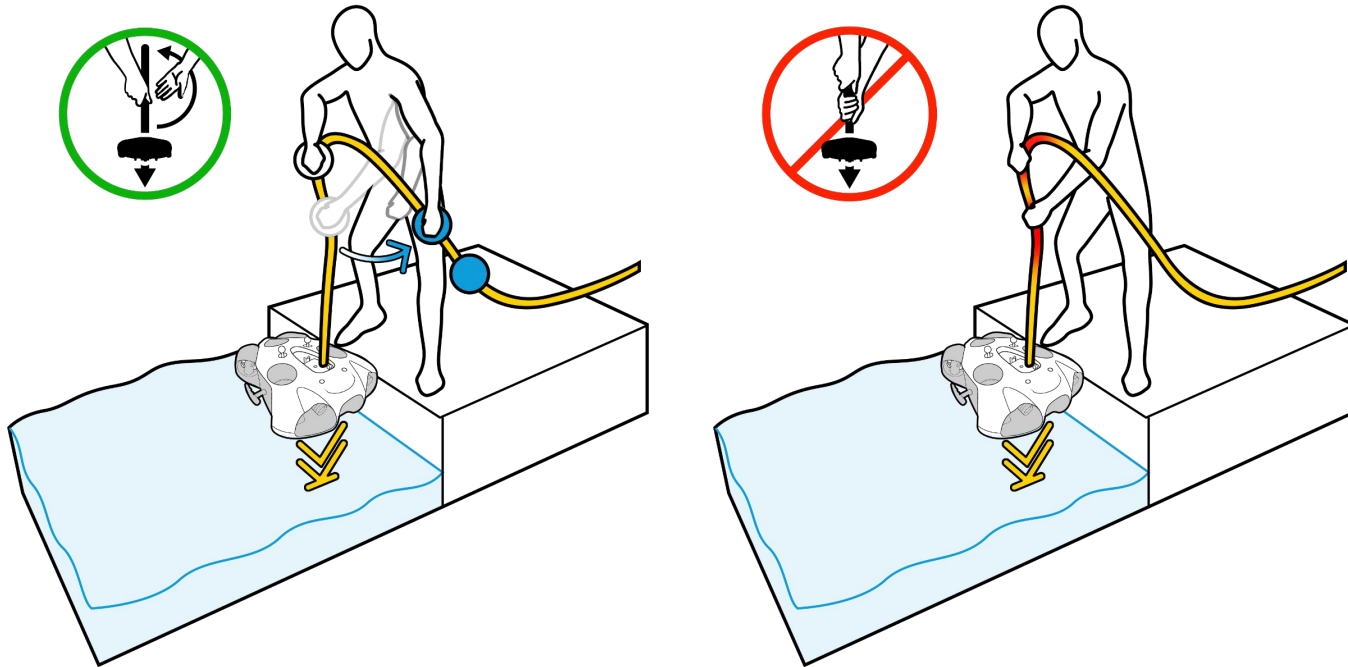


# III - USING SEASAM WITH THE EXPLOCAM

## Drone launching

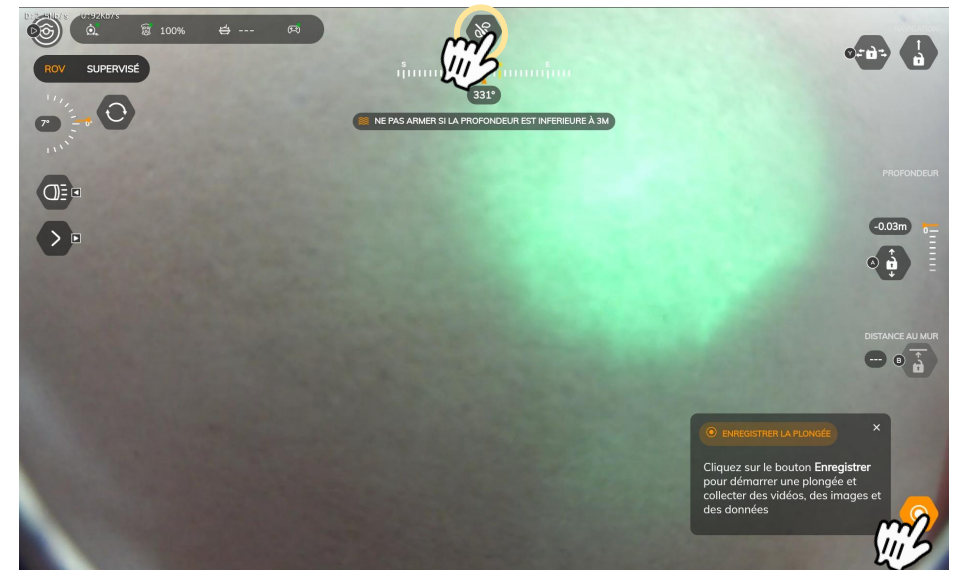
Launch the drone in the water. Hold the drone by the cable and gradually lower it one hand at a time.

**Do not let the cable slip in your hands.**



Arm the drone by clicking on the "Arm" button at the top of the screen and activate the dive recording

- Please do not arm the drone if any debris is floating on the surface. This could damage the motors.
- When arming, the drone will automatically dive to 50cm.
- Make sure to have at least 2m depth when arming to avoid the drone hitting the seafloor.



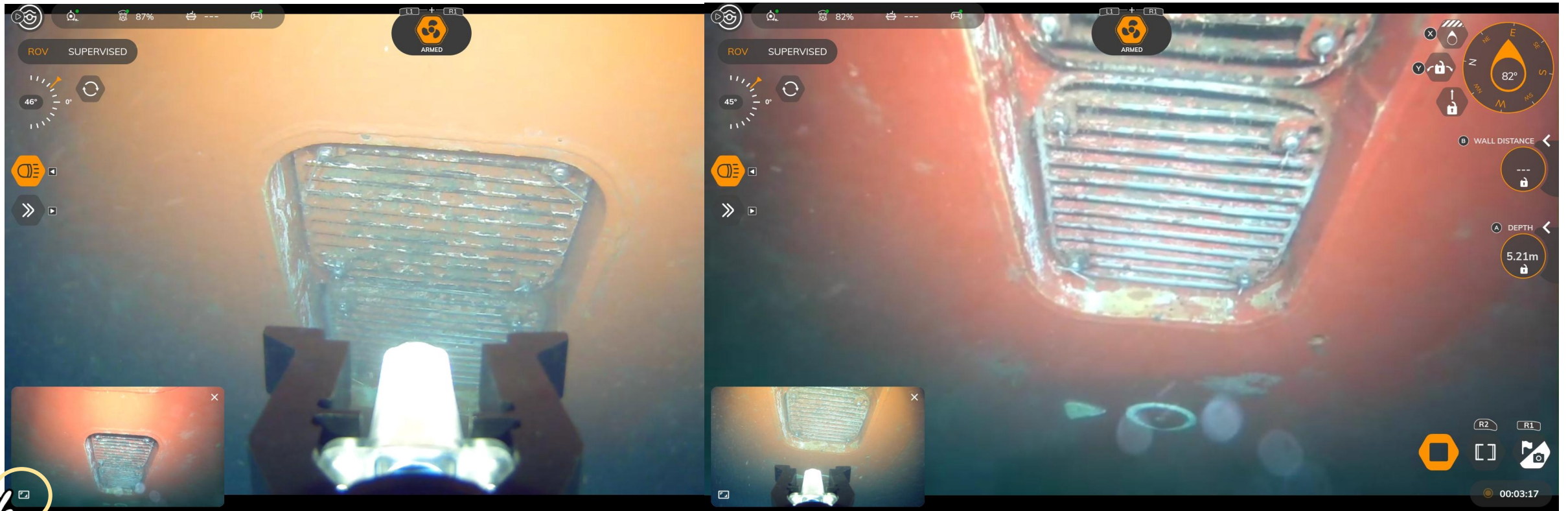
Seasam Control App View

# III - USING SEASAM WITH THE EXPLOCAM

## Switch the camera view

You can switch camera's view during the inspection

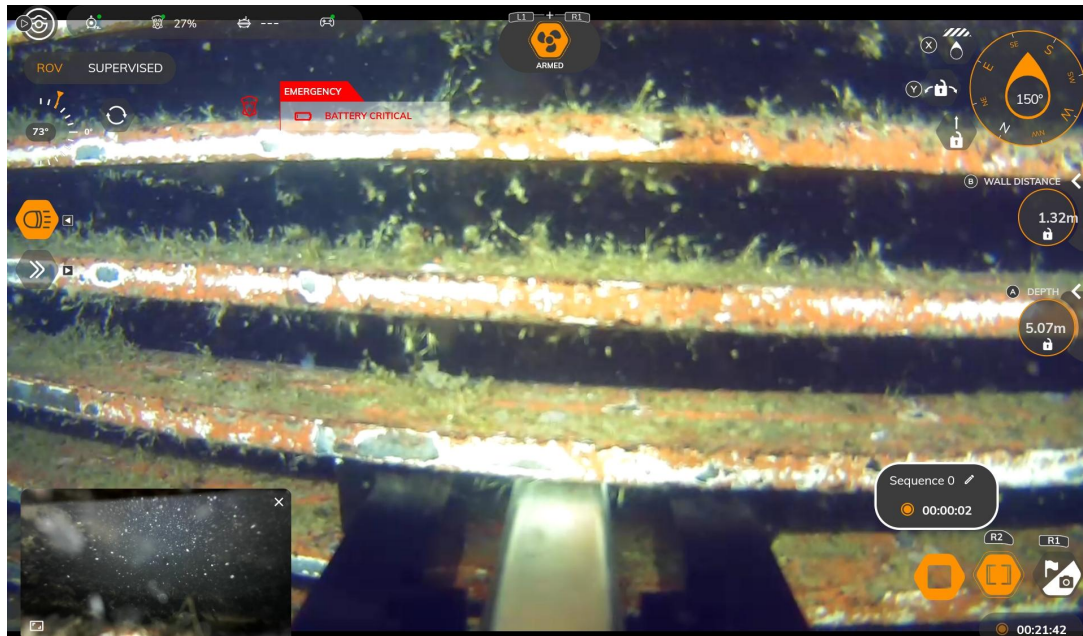
*Seasam Control App View*



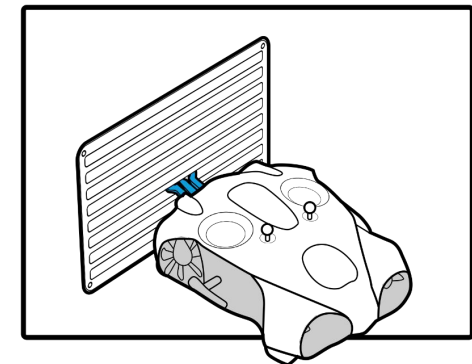
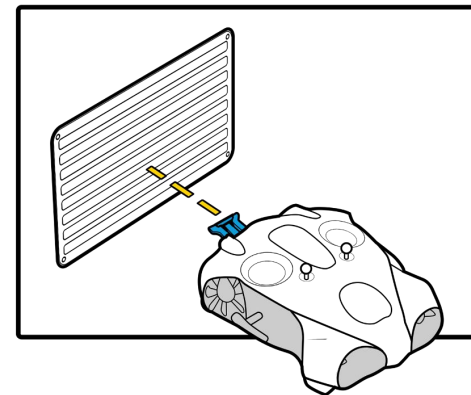
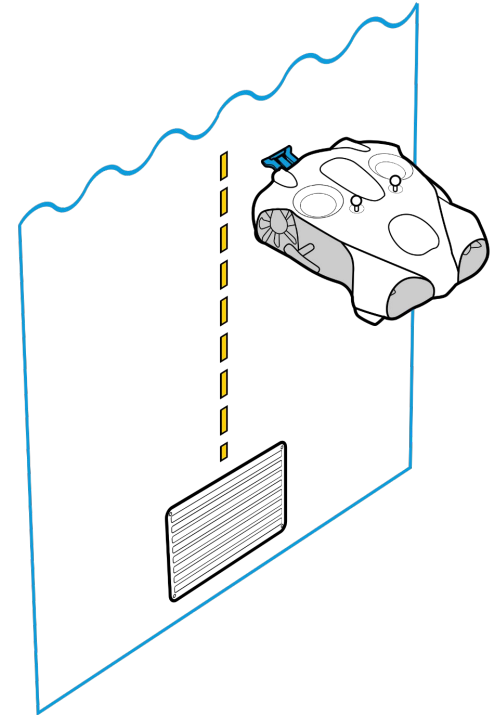
# III - USING SEASAM WITH THE GRIPPER

## Inspecting a Sea Chest

1. Access the sea chest
  - Bring the drone above the sea chest
  - Dive to the proper depthYou can use the depth lock to help you
2. Pitch the drone to face the sea chest
  - Manage the depth to move the drone toward or away from the seachest
  - Use the forward and backward commands, to move horizontally the drone still pitched.
3. Get closer to the sea chest and position the ExploCam inside to inspect it.



[Access the video of the ExploCam inspection here](#)

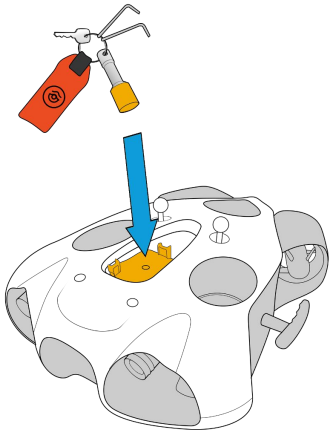




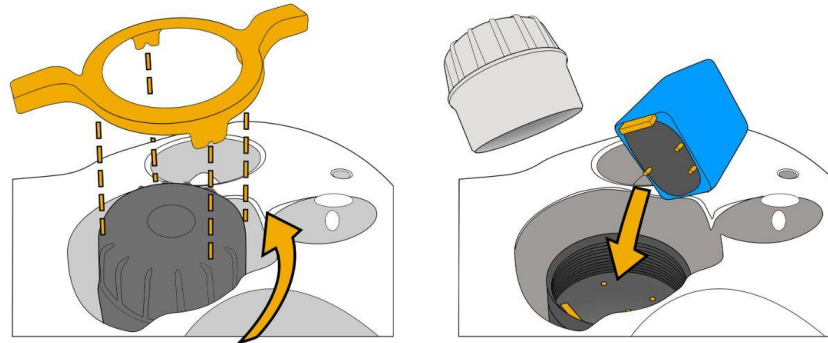
# III - USING SEASAM WITH THE EXPLOCAM

## At the end of the exploration

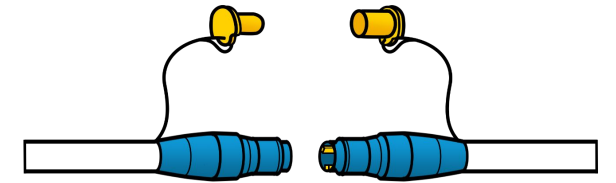
Turn off the drone



Remove the battery



Disconnect the ExploCam from the remote cable of your drone



**Always switch off the drone and remove the battery **BEFORE** disconnecting the ExploCam and the remote cable**

# SEASAM

by  notilo plus

More information : <https://support.seasam.notiloplus.com/>

Contact us : [support@notiloplus.com](mailto:support@notiloplus.com)